



MOBILE TOILET CABINS





TANK CABIN T-500

– With a 500 litre waste tank

With the floor and toilet seat cast in a single piece of reinforced fibre glass composite, this model is very durable and easy to clean. The toilet is connected to a 500 litre integrated waste tank and there is also a wash basin with a separate 25 litre water supply. External emptying hose as option.

The cabin can also be mounted on a chassis (Toilet Trailer 1).



Dimensions

Length	Width	Height
1400 mm	1200 mm	2553 mm

Weight

Appr. 330 kg

Waste tank capacity

Appr. 1,600 visitors / 500 litres



WC CABIN

– For connection to the mains water and sewerage

Furnished with a ceramic WC and a sturdy plastic wash basin, this model needs connection to mains water supply and sewerage.



Dimensions

Length	Width	Height
1472 mm	1178 mm	2311 mm

Weight

Appr. 316 kg



ACCESSIBLE WC CABIN, WC

– The larger Toilet Cabin for disabled visitors

This model contains a single, larger cubicle for disabled visitors. Furnished with a ceramic WC, drop down grab rails, a sturdy wash basin, two coat hooks, an extra mirror and a waste bin. Baby change table and DWC alarm are available as options. This model requires connection to the mains water supply and sewer system.



Dimensions

Length	Width	Height
2342 mm	2300 mm	2496 mm

Weight

Appr. 640 kg



ACCESSIBLE WC CABIN, TANK

– The larger Toilet Cabin for disabled visitors

With a 280 L waste tank. This model contains a single, larger cubicle for disabled visitors. Furnished with a ceramic WC, drop down grab rails, a sturdy wash basin, two coat hooks, an extra mirror and a waste bin. Baby change table and DWC alarm are available as options.



Dimensions

Length	Width	Height
2342 mm	2300 mm	2496 mm

Weight

Appr. 640 kg

Waste tank capacity

280 litres



TANK CABIN T-500

– With a 500 litre waste tank

With the floor and toilet seat cast in a single piece of reinforced fibre glass composite, this model is very durable and easy to clean. The toilet is connected to a 500 litre integrated waste tank and there is also a wash basin with a separate 25 litre water supply. External emptying hose as option..



Dimensions

Length	Width	Height
1416 mm	1262 mm	2976 mm

Weight

Appr. 450 kg

Waste tank capacity

Appr. 1,600 visitors / 500 litres



WC CABIN

– For connection to the mains water and sewerage

Furnished with a ceramic WC and a sturdy plastic wash basin, this model needs connection to mains water supply and sewerage.



Dimensions

Length	Width	Height
1416 mm	1244 mm	2641 mm

Weight

Appr. 430 kg



ACCESSIBLE WC CABIN, WC

– The larger Toilet Cabin for disabled visitors

This model contains a single, larger cubicle for disabled visitors. Furnished with a ceramic WC, drop down grab rails, a sturdy wash basin, two coat hooks, an extra mirror and a waste bin. Baby change table and DWC alarm are available as options. This model requires connection to the mains water supply and sewer system..



Dimensions

Length	Width	Height
2413 mm	2413 mm	2760 mm

Weight

Appr. 1200 kg



ACCESSIBLE WC CABIN, TANK

– The larger Toilet Cabin for disabled visitors

With a 280 L waste tank. This model contains a single, larger cubicle for disabled visitors. Furnished with a ceramic WC, drop down grab rails, a sturdy wash basin, two coat hooks, an extra mirror and a waste bin. Baby change table and DWC alarm are available as options.



Dimensions

Length	Width	Height
2413 mm	2413 mm	2760 mm

Weight

Appr. 1200 kg

Waste tank capacity

280 litres



Interior WC



Örebro, Sweden



Interior waste tank



Saltsjöbaden Golf Club, Sweden



Knarrholmen, Sweden



TOILET TRAILER 1

– T-500 mounted on chassis

The interior is the same as in Tank Cabin T-500, mounted on chassis for ease of transportation. Max 80 km/h.

Dimensions

Length	Width	Height
3000 mm	1630 mm	2900 mm

Weight

Appr. 445 kg

Waste tank capacity

Appr. 1,600 visitors / 500 litres

GENERAL INFORMATION

– Mobile toilet cabins from Danfo

Our high-quality mobile toilet cabins are available in several different models, all fully insulated for use all the year round.

The cabins come with integrated waste tanks or with water closets for connection to water and sewerage, depending on the requirements of the customer.

All Danfo cabins are easily transported with durable high quality fittings. Danfo's toilet cabins are ideally suited for use permanently or semi-permanently in a variety of locations such as marinas, camping sites, construction and industrial sites, military camps and expeditions.



A cross section of a typical tank cabin T-500.

TECHNICAL INFORMATION

– General information

The walls and doors are of sandwich construction, consisting of a reinforced insulated polyurethane core covered with plastic coated aluzinc sheet on both sides. The roof is made from galvanised steel with riveted edges. The floor and toilet seat in the tank models come as a single piece of fibre glass reinforced plastic polyester seamlessly joined to the walls. The floor has a ridge pattern surface to prevent slipping.

– Toilet cabins with exterior cladding and roof

Timber like cladding with corners and linings made of wood. Fibre glass reinforced plastic roof with inset lighting. Door in the same colour as the walls.

– Equipment

As standard, the cabins come with complete electrical installation for lighting and heating. The cabins are equipped with GFCI (Ground Fault Circuit Interrupter) and 3-pole mains inlet for connection to a 1-phase 240V/16A electrical outlet.

As an option it is possible to exclude the electrical installation and install solar cells for lighting.

The equipment includes washbasin with a tap, heating fan, waste paper bin, toilet paper holder, coat hook, mirror and door lock as well as external eye bolts for lifting. In the Tank Cabin the washbasin is connected to a 25 litre (6.5 gal) fresh water container with a foot pump. The WC Cabins come with ceramic toilet bowls.

– Ventilation

Disk valves allow for natural ventilation. There is separate ventilation for the waste tank.

– Toilet cabin with 500 L integrated tank

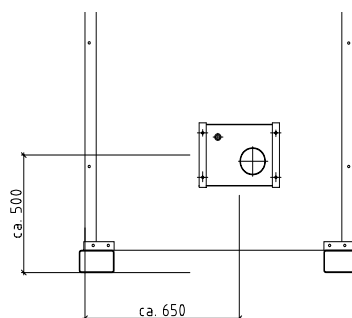
Manufactured from rotomoulded plastic integrated in the unit's structure, the waste tank is able to withstand extreme temperatures. The tank should be filled with water and disinfectant prior to use. The tank requires occasional drainage by sludge suction.

– Accessible WC cabin with 280 L tank

The waste tank is placed inside the cabin and has a capacity of 280 l. The tank should be filled with water and disinfectant prior to use. The tank requires occasional drainage by sludge suction.

– Water connection

The WC and Accessible WC Cabins are connected to the mains water supply and sewerage, please see the example for WC below: .





Danfo AB | Box 103 | 713 23 Nora, Sweden | Tel: +46 587 861 00
info@danfo.com | www.danfo.com